

## Profile tolerancing and the impact of ISO 1660:2017 on users

Roman Kuster\*, Michael Marxer\*

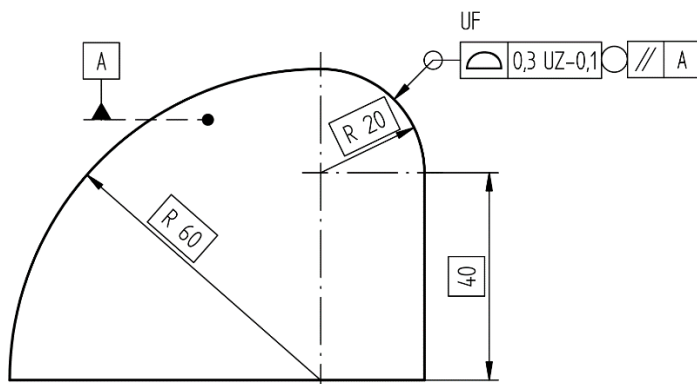
\*University of Applied Sciences Buchs NTB, Werdenbergstrasse 4, 9471 Buchs,  
Switzerland, roman.kuster@ntb.ch

**Keywords:** GPS, standards, ISO, profile tolerancing

Profile tolerancing is a powerful tool to specify advanced curved surfaces, such as when a feature curves in multiple axes. A common use is to tolerance a curving surface such as a bonnet or an aircraft wing.

The latest version of the ISO standard 1660 was released at the end of 2017. It introduces new possibilities to simplify tolerancing. It is crucial to know that it also introduces changes to prior usage and new definitions. Therefore, it is important to anyone using profile tolerances to update their knowledge to avoid misunderstandings or misinterpretations when using it.

As a part of the European project “Geometrical Product Specification and Verification as toolbox to meet up-to-date technical requirements” a learning module was developed including the mentioned changes.



**Fig. 1.**  
Example for profile  
tolerancing using  
ISO 1660:2017

[1] ISO 1660:2017  
Geometrical product specifications (GPS) -- Geometrical tolerancing -- Profile tolerancing